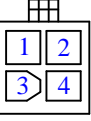


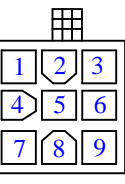
Model: JSMA-PBC08A7K

No.	Item	Symbol	Unit	Specification	No.	Item	Symbol	Unit	Specification
1	Drive	-	-	3 φ 220 VAC	13	Rotor Inertia	Jm	kg·cm <sup>2</sup>	1.51 ±10%
2	Cooling Method	-	-	Totally Enclosed	14	Rated Power Rate	Q-R	Kw/s	37.73
3	Exciting Method	-	-	Permanent Magnet	15	Resistance	Ra	Ω	1.48±10%/2 φ
4	Resolution	-	-	17BIT-Inc	16	Inductance	L	mH	10.1±10% / 2 φ
5	Rated Output	P-R	W	750	17	Mech. Time Constant	Tm	ms	0.97
6	Rated Torque	T-R	N·m	2.39	18	Elect. Time Constant	Te	ms	6.82±10%
7	Max. Torque	T-max	N·m	7.16	19	Insulation Class	-	-	Class F
8	Rated Speed	N-R	rpm	3000	20	Operation Temp.	T	°C	0~40
9	Rated Current	I-R	A	4.3	21	Operation Humd.	RH	%	<80
10	Max. Current	I-max	A	14	22	Storage Temp.	T	°C	-20°~60°
11	Torque Constant	Kt	N·m/A	0.56	23	Storage Humd.	RH	%	<80
12	Voltage Constant	Ke	V/k rpm	37.3±10%	24	Weight	W	kgw	2.7

1	U	Red
2	V	White
3	W	Black
4	GND	Y/G



1	Vcc	White
2	GND	Black
3	-	-
4	-	-
5	SD	Blue
6	SD	Purple
7	-	-
8	-	-
9	FG	Shield



Motor Connection

Encoder Connection

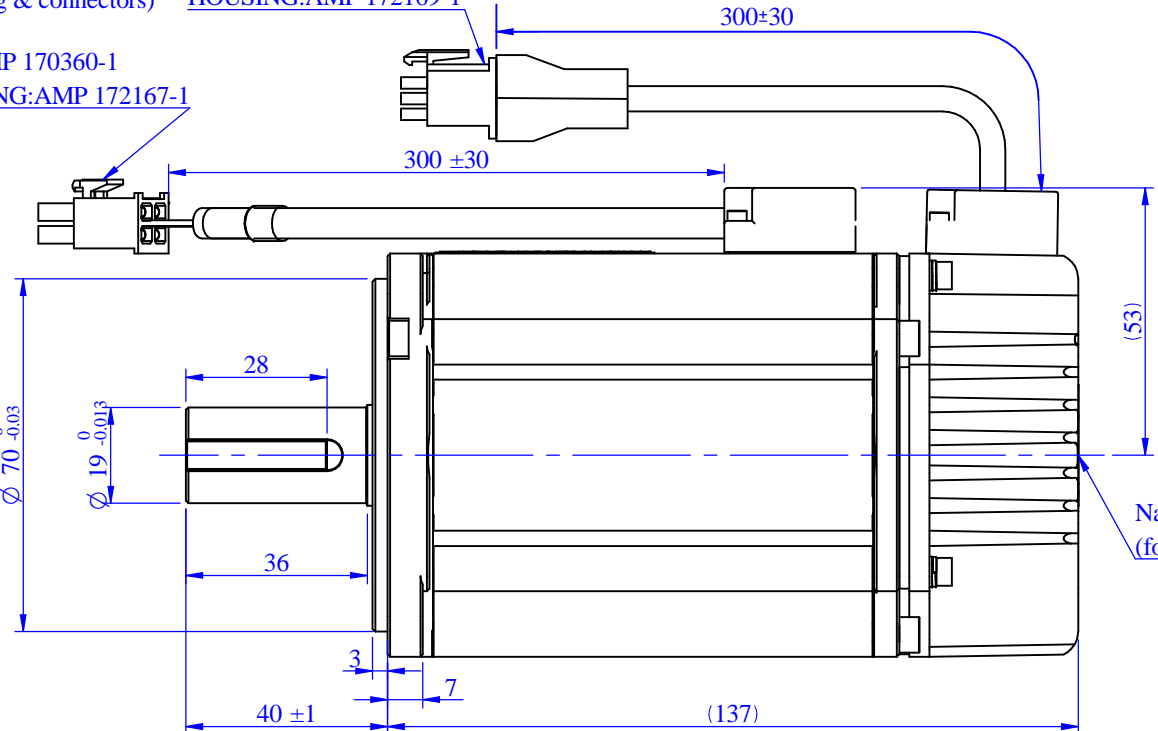
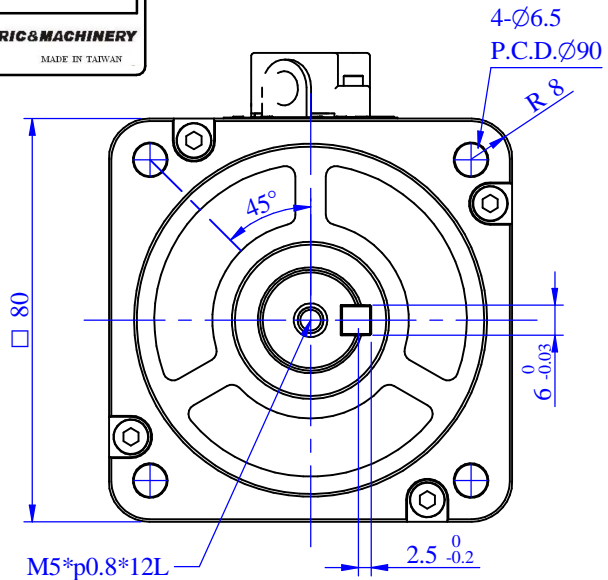
Name Plate for Notice

Note:  
1. Motor to be IP67(excluding the shaft opening & connectors)

PIN:AMP 770835-1  
HOUSING:AMP 172169-1

PIN:AMP 170360-1  
HOUSING:AMP 172167-1

**AC SERVO MOTOR**  
 Model: JSMA-PBC08A7K  
 Pr: 0.75 KW ; Nr: 3000 rpm  
 Ir: 4.3 A , Tr: 2.39 N·m  
 NO.  
**TECO ELECTRIC & MACHINERY CO., LTD.**  
 MADE IN TAIWAN



STANDARD TOLERANCE					APVD		SCALE	2/3	UNIT	mm	NAME	Servo Motor Outline Drawing	
X	±0.5				CHKD						TITLE	JSMA-PBC08A7K	
.X	±0.2				CHKD		3RD .A.P						
.XX	±0.05				DWN	hao							
ANGLE	±30'					04-07-'16							
MATERIAL		REV	DESCRIPTION	SIGNATURE	DATE	SIGNATURE	DATE	TECO ELECTRO DEVICES CO., LTD.		Dept. Design	DWG.NO.	D01E08751C3N73D01	